

LED PROFILE SURFACE14 EE7F/TY 2000 RAW ALU.



max 14 mm

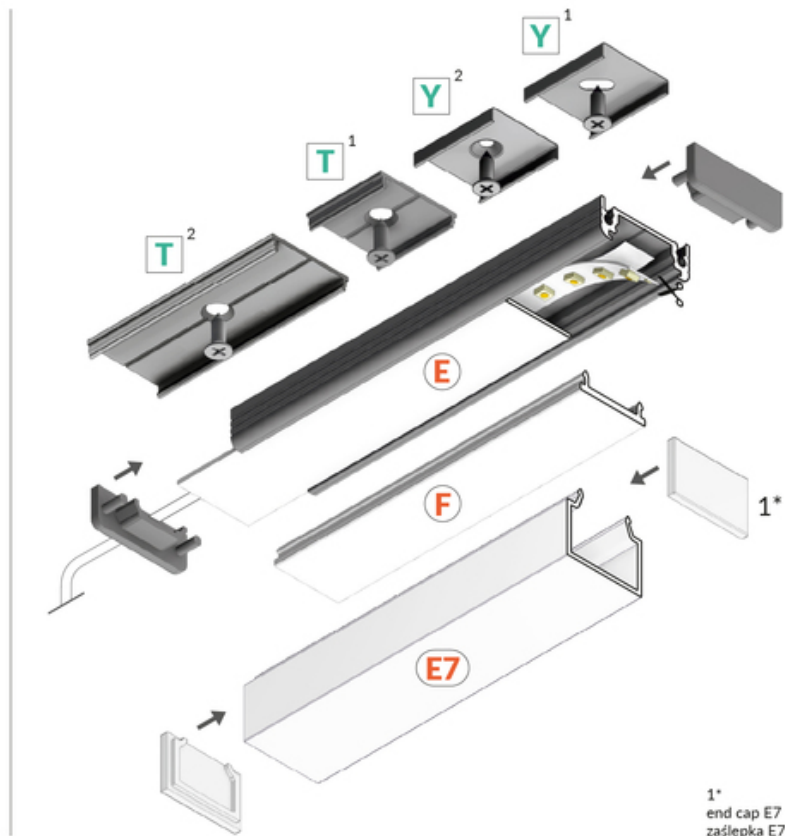
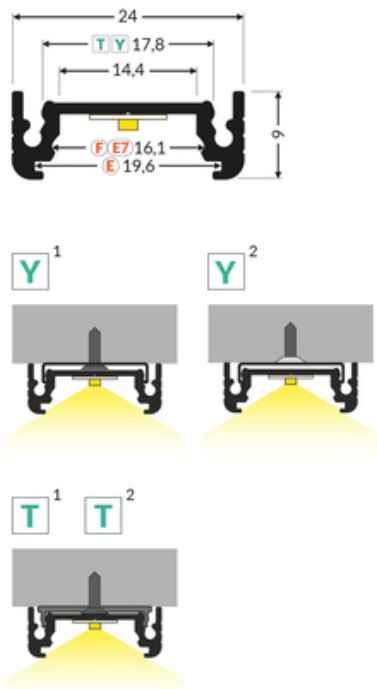


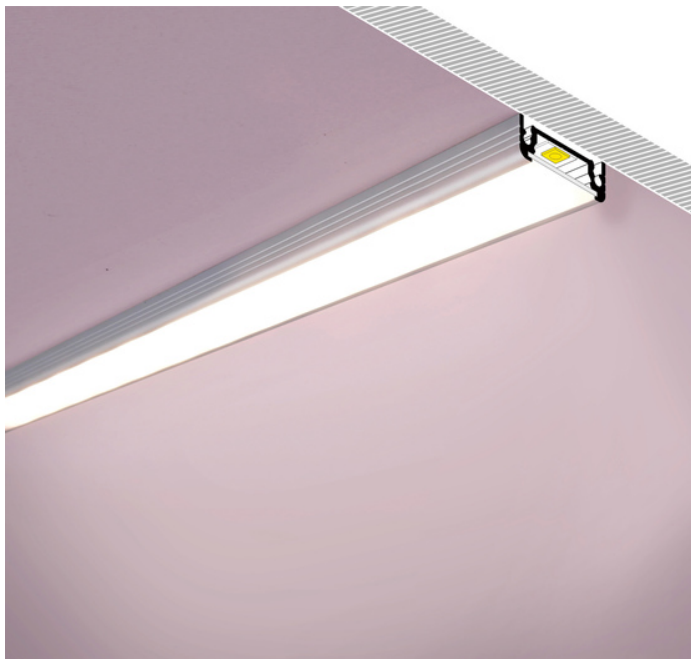
Surface



Furniture

	<ul style="list-style-type: none"> • hidden mounting • many system accessories available 	<ul style="list-style-type: none"> EU industrial designs CE Made in Poland 	<p>Buy product</p>
--	--	--	--------------------



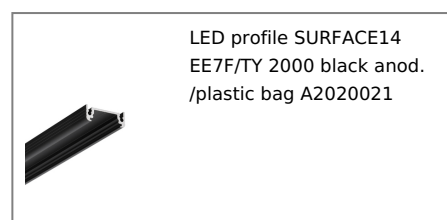
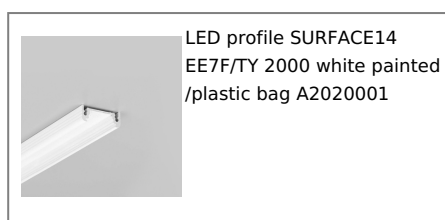
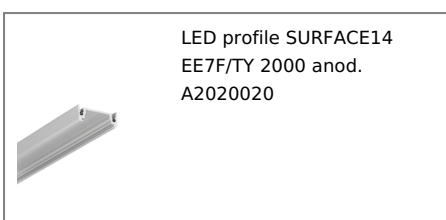


Basic Informations

EAN: 5901597206194
Index: A2020000
Material: aluminium
Color: raw aluminium
Length [mm]: 2000
Weight [kg]: 0.326
Net weight [kg]: 0.006
Country of origin: PL

Measurement unit: qty
Product packaging dimensions [mm]: 2000 x 24 x 9
Bulk packing [qty]: 40
Master packaging type: Bulk
Product with gross packaging weight [kg]: 13.04

AVAILABLE COLORS



AVAILABLE VARIANTS

1000 mm, 2000 mm, 3000 mm, 4050 mm

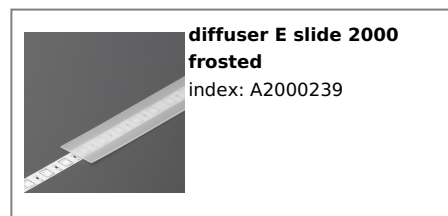
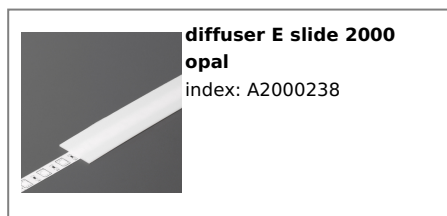
Matching elements

TOPMET LIGHT KŁOSOWICZ WIŚNIEWSKI sp. z o.o.
Ostrowska 354 | 61-312 Poznań | POLAND
tel.: +48 61 872 75 00
info@topmet.pl

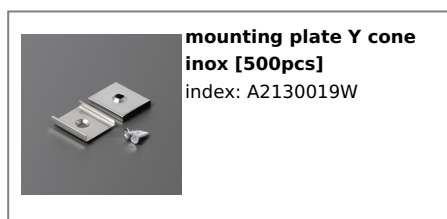
pdf card generation date: 10.03.2025



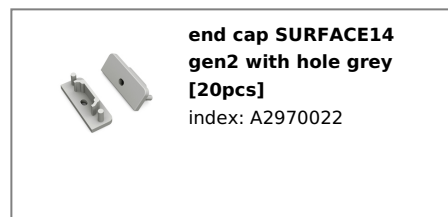
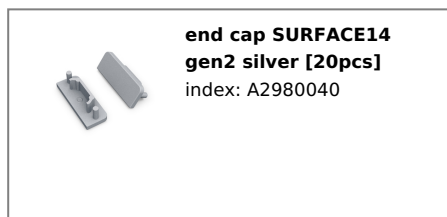
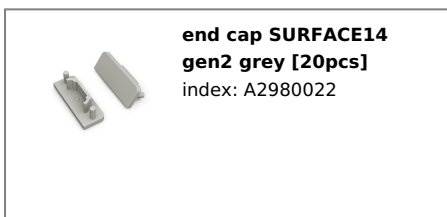
DIFFUSERS



MOUNTINGS



END CAPS



TOPMET LIGHT KŁOSOWICZ WIŚNIEWSKI sp. z o.o.

Ostrowska 354 | 61-312 Poznań | POLAND

tel.: +48 61 872 75 00

info@topmet.pl

pdf card generation date: 10.03.2025



**end cap SURFACE14
gen2 with hole silver**
[20pcs]
index: A2970040

CONNECTORS



connector T 180deg
/plastic bag [200pcs]
index: C6990000W