

LED PROFILE UNI12 BCD/U 1000 WHITE PAINTED /PLASTIC

BAG



Furniture



Surface



Recessed



CE



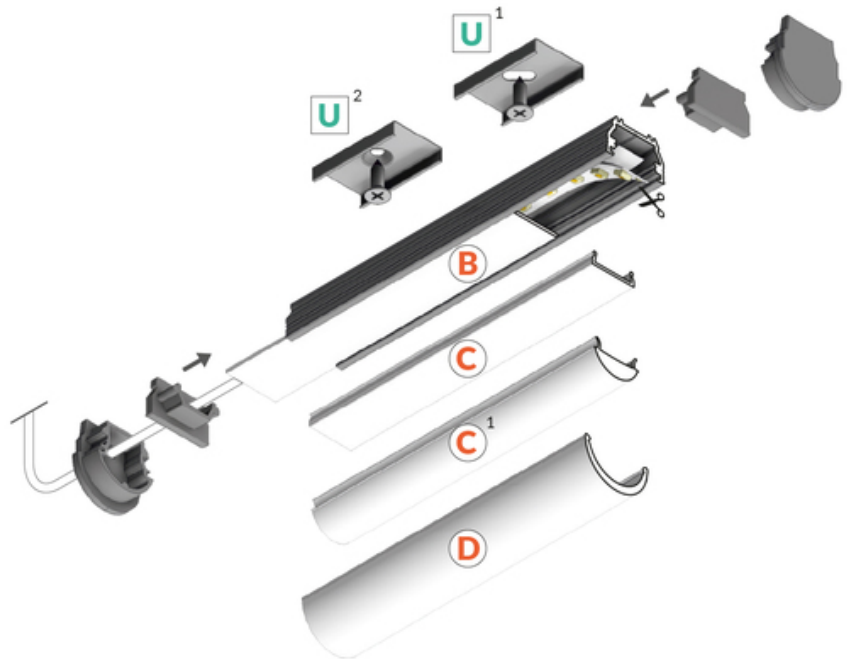
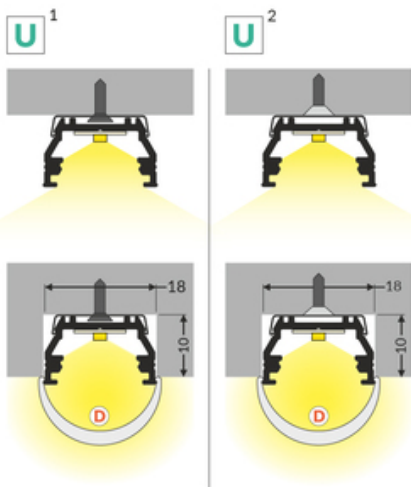
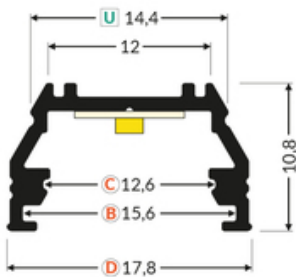
EU industrial designs



Made in Poland



Buy product



TOPMET LIGHT KŁOSOWICZ WIŚNIEWSKI sp. z o.o.

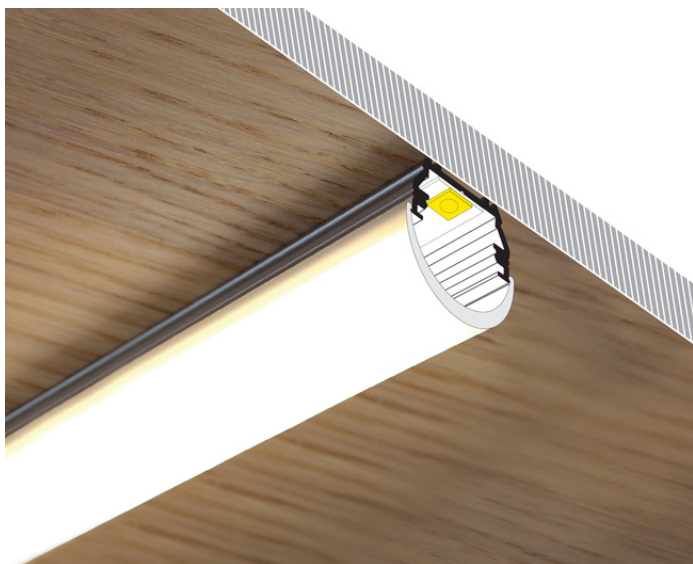
Ostrowska 354 | 61-312 Poznań | POLAND

tel.: +48 61 872 75 00

info@topmet.pl

pdf card generation date: 10.03.2025





Basic Informations

EAN: 5901597203605

Index: A1010001

Material: aluminium

Color: white painted

Length [mm]: 1000

Weight [kg]: 0.145

Net weight [kg]: 0.018

Country of origin: PL

Measurement unit: qty

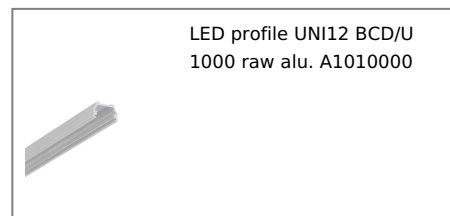
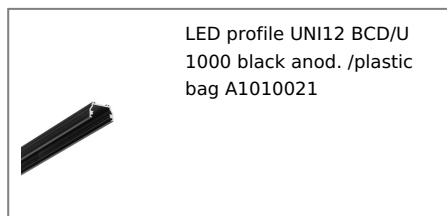
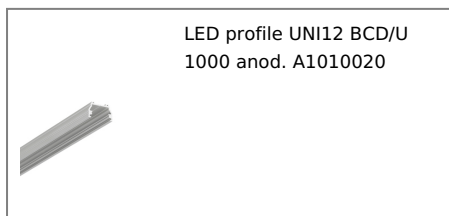
Product packaging dimensions [mm]: 1000 x 17,8 x 10,8

Bulk packing [qty]: 40

Master packaging type: Carton

Product with gross packaging weight [kg]: 6.21

AVAILABLE COLORS



AVAILABLE VARIANTS

1000 mm, 2000 mm, 3000 mm, 4050 mm

Matching elements

DIFFUSERS

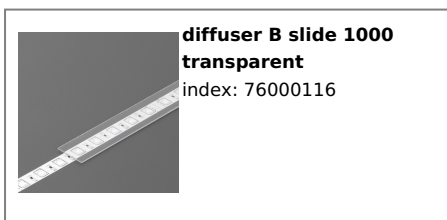
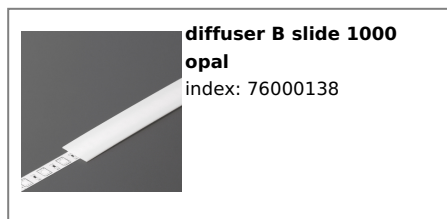
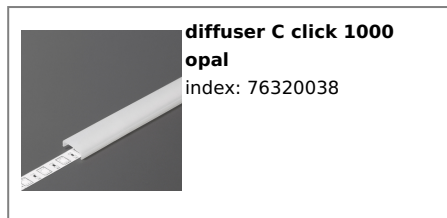
TOPMET LIGHT KŁOSOWICZ WIŚNIEWSKI sp. z o.o.

Ostrowska 354 | 61-312 Poznań | POLAND

tel.: +48 61 872 75 00

info@topmet.pl

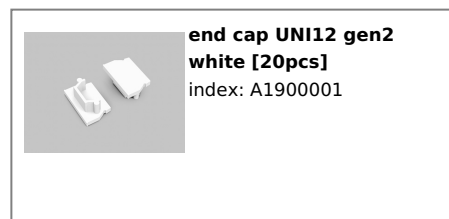
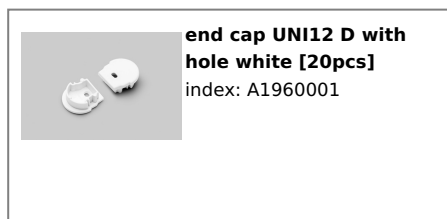
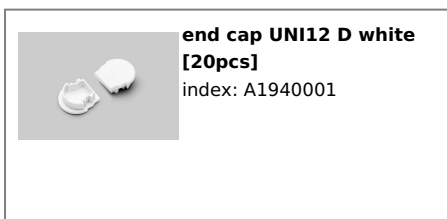
pdf card generation date: 10.03.2025



MOUNTINGS



END CAPS





**end cap UNI12 gen2 with
hole white [20pcs]**
index: A1890001

CONNECTORS



**connector UNI12 90deg
white painted /plastic
bag**
index: A1910001