

LED PROFILE UNI14 BC3/Y 2000 ANOD.



Surface

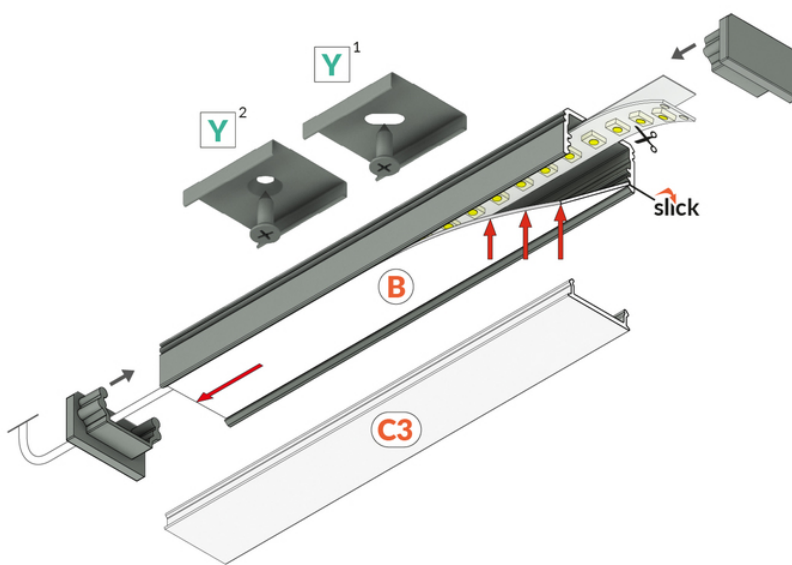
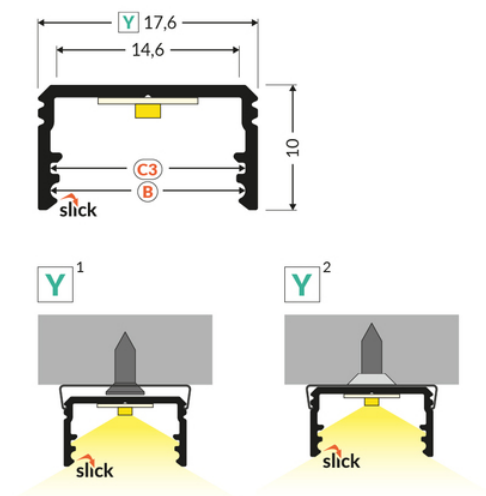


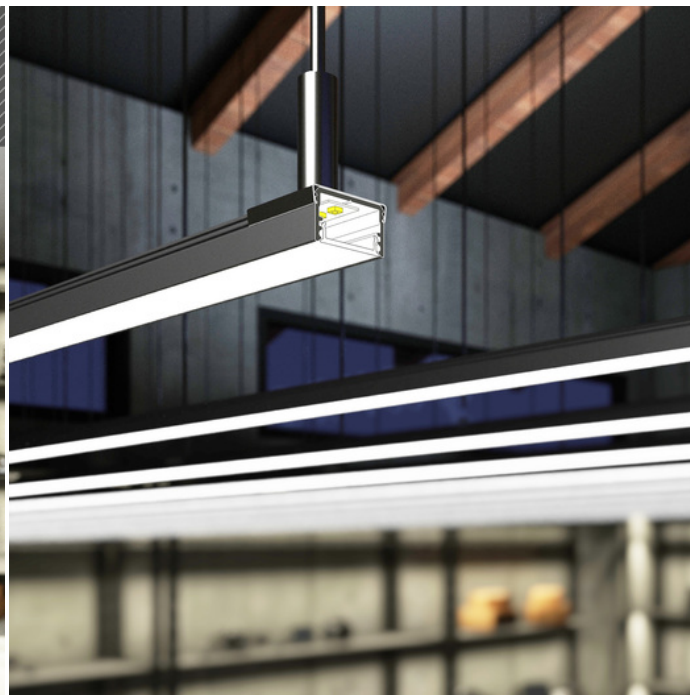
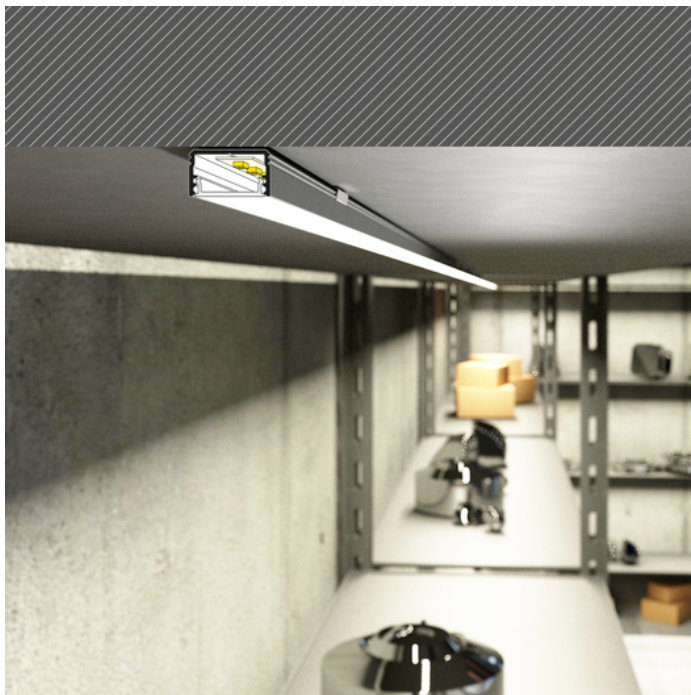
Furniture



max 14 mm

	 CE  EU industrial designs  Made in Poland	 Buy product
---	---	--



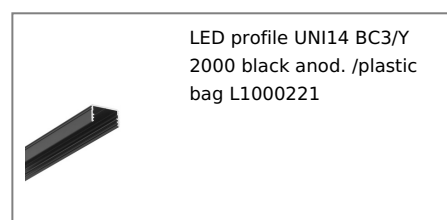
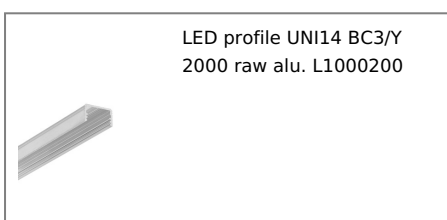


Basic Informations

EAN: 5901597260615
Index: L1000220
Material: aluminium
Color: anodized
Length [mm]: 2000
Weight [kg]: 0.206
Net weight [kg]: 0.015
Country of origin: PL

Measurement unit: qty
Product packaging dimensions [mm]: 2000 x 17,6 x 10
Bulk packing [qty]: 40
Master packaging type: Bulk
Product with gross packaging weight [kg]: 8.24

AVAILABLE COLORS



AVAILABLE VARIANTS

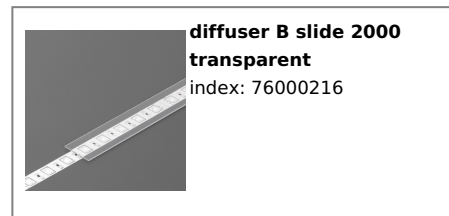
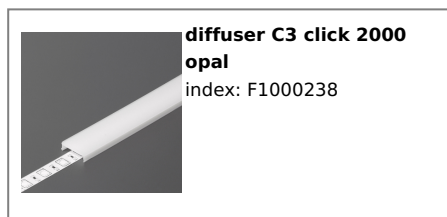
2000 mm, 4050 mm

Matching elements

TOPMET LIGHT KŁOSOWICZ WIŚNIEWSKI sp. z o.o.
Ostrowska 354 | 61-312 Poznań | POLAND
tel.: +48 61 872 75 00
info@topmet.pl

pdf card generation date: 10.03.2025

DIFFUSERS



MOUNTINGS



END CAPS

