

LED PROFILE SMART-IN16 BC3/U4 1000 ANOD.








Recessed

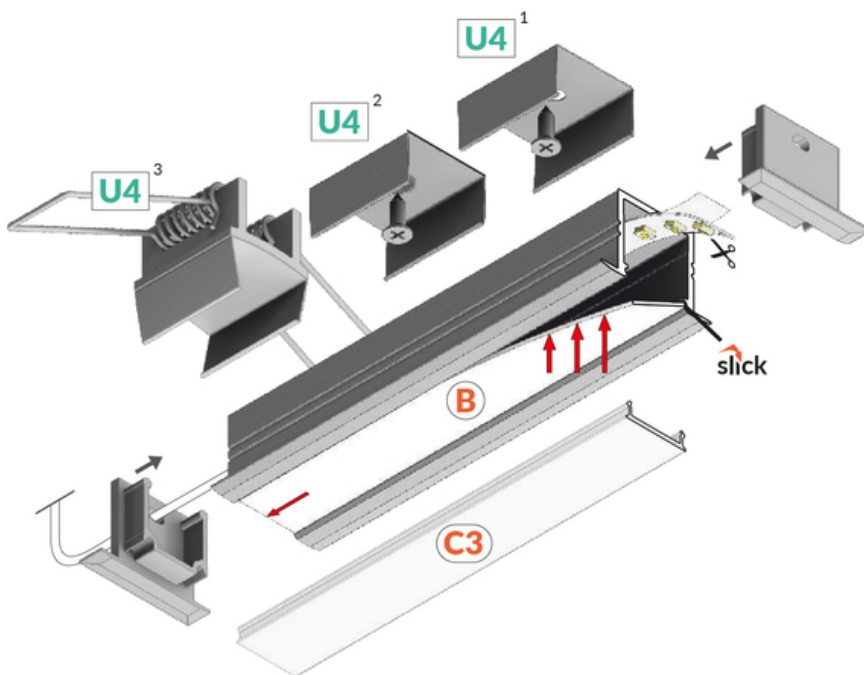
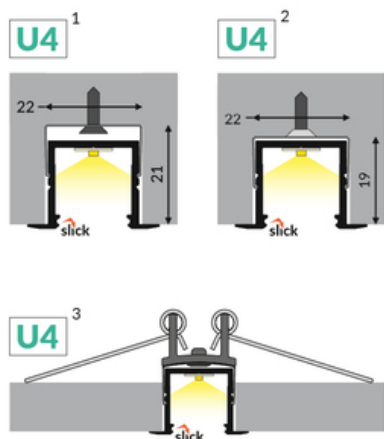
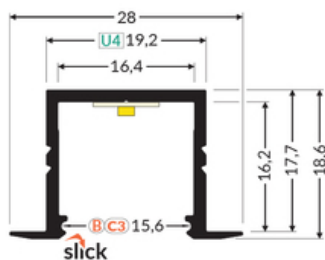


Furniture



max 16 mm

	<ul style="list-style-type: none"> • used mainly in furniture • ceiling installation possible • 6 types of diffusers 	 CE  EU industrial designs  Made in Poland	 Buy product
---	---	---	--





Basic Informations

EAN: 5901597257578

Index: F6000120

Material: aluminium

Color: anodized

Lenght [mm]: 1000

Weigh [kg]: 0.237

Net weight [kg]: 0.012

Country of origin: PL

Measurement unit: qty

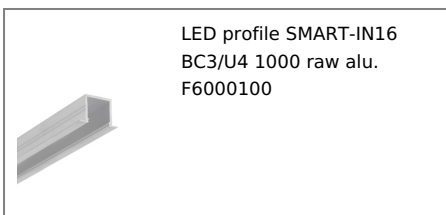
Product packaging dimensions [mm]: 1000 x 28 x 18,6

Bulk packing [qty]: 40

Master packaging type: Bulk

Product with gross packaging weight [kg]: 9.48

AVAILABLE COLORS



LED profile SMART-IN16
BC3/U4 1000 raw alu.
F6000100



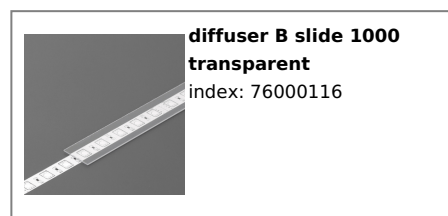
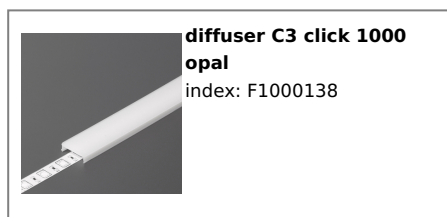
LED profile SMART-IN16
BC3/U4 1000 white painted
/plastic bag F6000101

AVAILABLE VARIANTS

1000 mm, 2000 mm, 3000 mm, 4050 mm

Matching elements

DIFFUSERS



END CAPS



MOUNTING PLATES

