

LED PROFILE OMNI10 AC2 2000 ANOD.



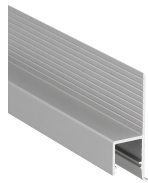
Spackle in



Architectural



max 10 mm



- decorative lighting, invisible profile and diffuser
- profile for finishing of plasterboards with a minimum thickness of 12,5 mm
- many possible arrangements
- Slick socket



EU industrial designs



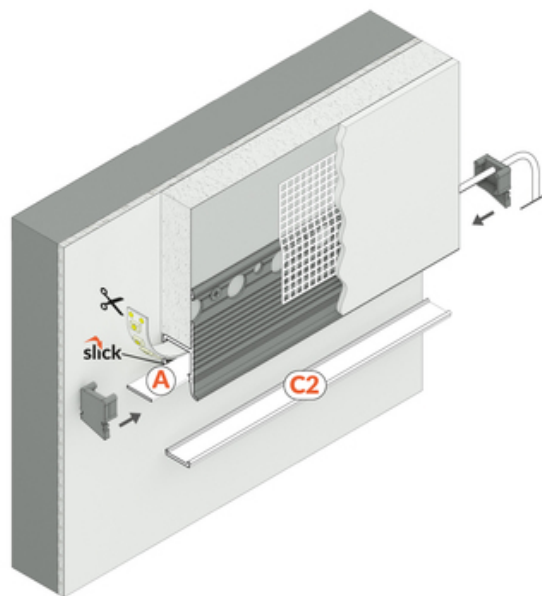
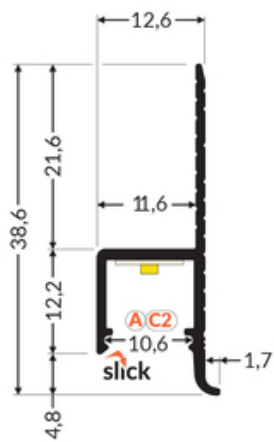
CE



Made in Poland



Buy product



TOPMET LIGHT KŁOSOWICZ WIŚNIEWSKI sp. z o.o.

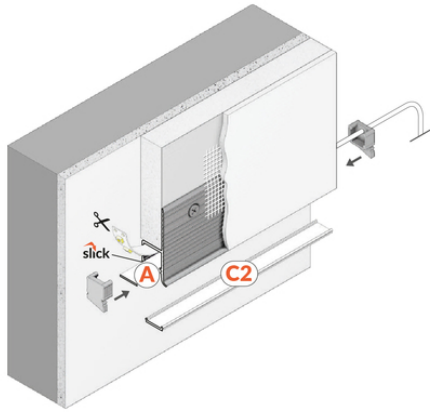
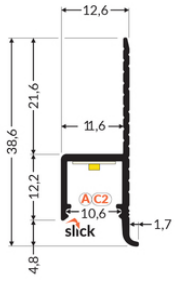
Ostrowska 354 | 61-312 Poznań | POLAND

tel.: +48 61 872 75 00

info@topmet.pl

pdf card generation date: 09.03.2025

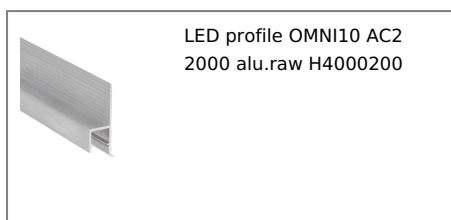




Basic Informations

EAN: 5901597280019 Index: H4000220 Material: aluminium Color: anodized Length [mm]: 2000 Weight [kg]: 0.368 Country of origin: PL	Measurement unit: qty Product packaging dimensions [mm]: 2000 x 14,3 x 38,6 Bulk packing [qty]: 40 Master packaging type: Bulk Product with gross packaging weight [kg]: 14.72
---	--

AVAILABLE COLORS

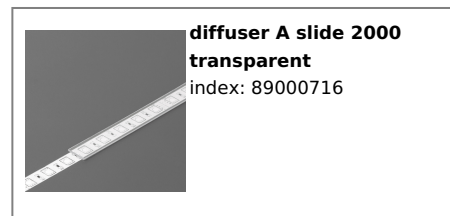
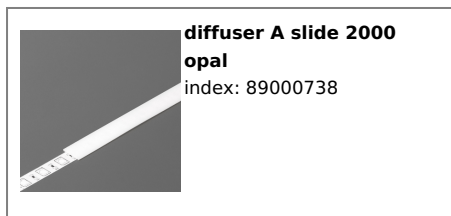
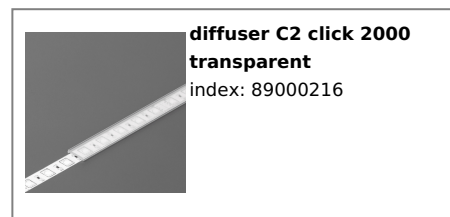
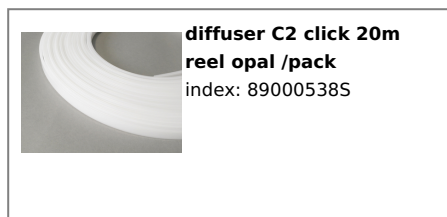
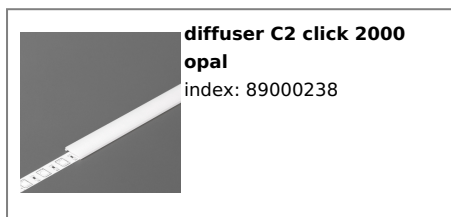


AVAILABLE VARIANTS

1000 mm, 2000 mm, 3000 mm, 4050 mm

Matching elements

DIFFUSERS



END CAPS



end cap OMNI10 grey
[20pcs]
index: H4999922