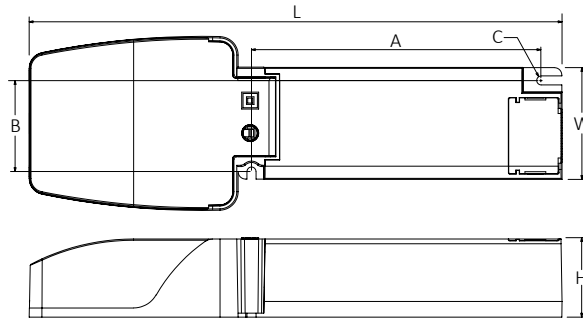


TECHNICAL DATASHEET

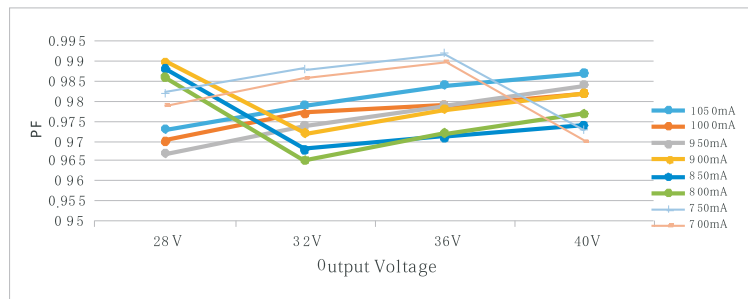
Driver Datasheet		
Input	Input POWER	
	Rated Input Voltage(V)	AC220-240V
	Input Voltage(V)	AC198-264V
	Frequency	50/60Hz
	Rated Input Current	≤0.23A
	Input Current	≤0.25A
	Power Factor (typ)	0.9
	Total harmonic distortion(THD)	<10% @230V full load
	Efficiency (typ)	≥86%(@230VAC full load)
	Inrush currentN (Typ.)	10.3A/43uS
	Max circuit breaker	Please refer to" Circuit breaker Specification"
	Leakage current	<0.5mA/240V
	No load wattage	<0.5W @230V
Output	Output Voltage range	DC28-40V
	Rated output current	700-1050mA
	Line Regulation	±5%
	Open circuit voltage (max)	50V
	Setup time(note1)	<0.5s @230V
	Flickering Index(IEEStd 1789)	2%(NO RISK)
	IEC-PST	≤1
	CIE (SVM)	≤0.4
Protection	Short circuit protection	Constant current limiting, recovers automatically after fault condition is removed
	Over voltage protection	Shut down o/p voltage
	Over temperature protection	Shut down o/p voltage, recovers automatically after temperature goes down
Environment	Ambient temperature range ta	-20... +50 °C
	Maximum case temperature tc	90°C (Measured on tc point indicated of the product label, tc not exceeded)
	Operating temperature	-20... +45 °C
	Storage temperature/humidity	-25...+85 °C; 5-95% RH
	Relative humidity	5...85%
	Environmental rating	Indoor
	IP rating	IP20
	Life time	>50,000H @25°C
SAFETY & EMC	Safety standards	IEC/EN61347-1, IEC/EN61347-2-13, IEC/EN62384 independent,GB19510.14,GB19510.1 approved
	Withstand voltage	I/P-O/P:3.75KVac,<5mA 60S; I/P-FG:1.6KVac,<5mA 60S; O/P-FG:0.5KVac,<5mA 60S
	Isolation Resistance	I/P-O/P: 500VDC, ≥4M Ω
	surge	IEC/EN61000-4-5(L-N:1KV)
	EMC Emission	IEC/EN55015, IEC/EN61000-3-2
	EMC Immunity	IEC/EN61000-4-2,3,4,5,6,8,11; IEC/EN61547
Other	Dimension	Refer to the specification sheet

L	W	H	A	B	C	
205	66.7	30	111.2	35	3.5	mm



CURRENT AND POWER TECHNICAL DATASHEET POWER FACTOR CHARACTERISTIC

Vout	Po Max	Io
28-40V	28W	700mA
28-40V	30W	750mA
28-40V	32W	800mA
28-40V	34W	850mA
28-40V	36W	900mA
28-40V	38W	950mA
28-40V	40W	1000mA
28-38V	40W	1050mA



Circuit Breaker Specification

B10	B13	B16	B20	C10	C13	C16	C20
29	38	46	58	29	38	46	58

